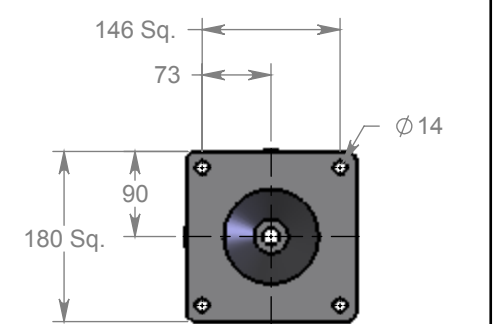
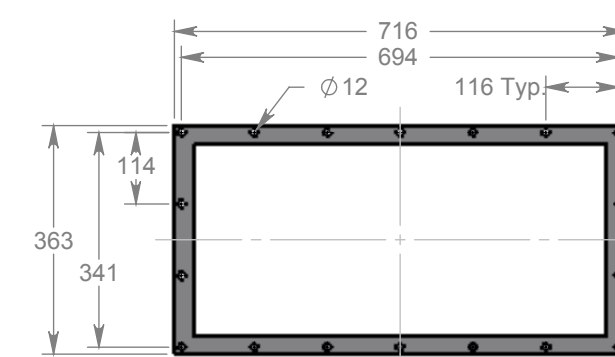
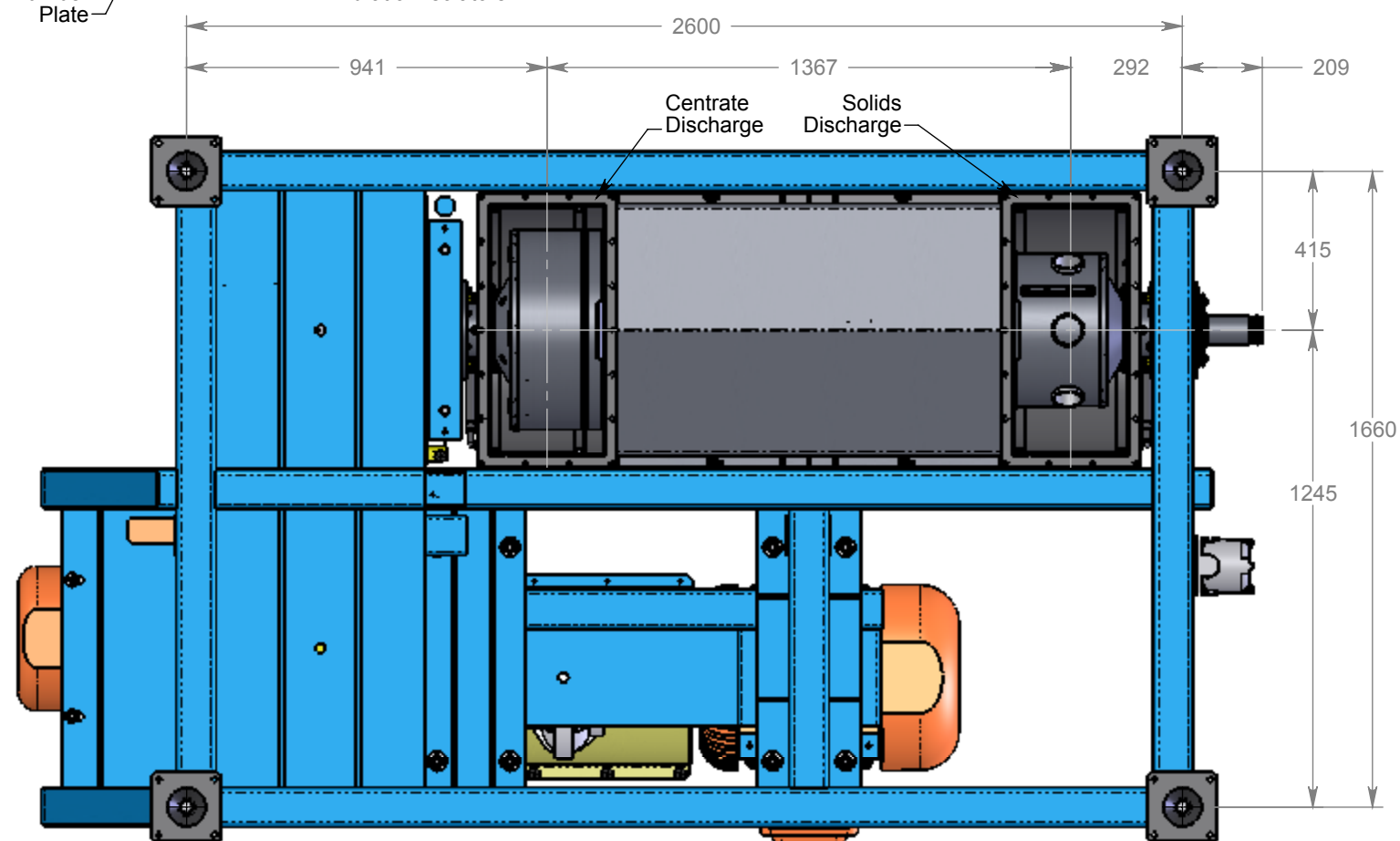
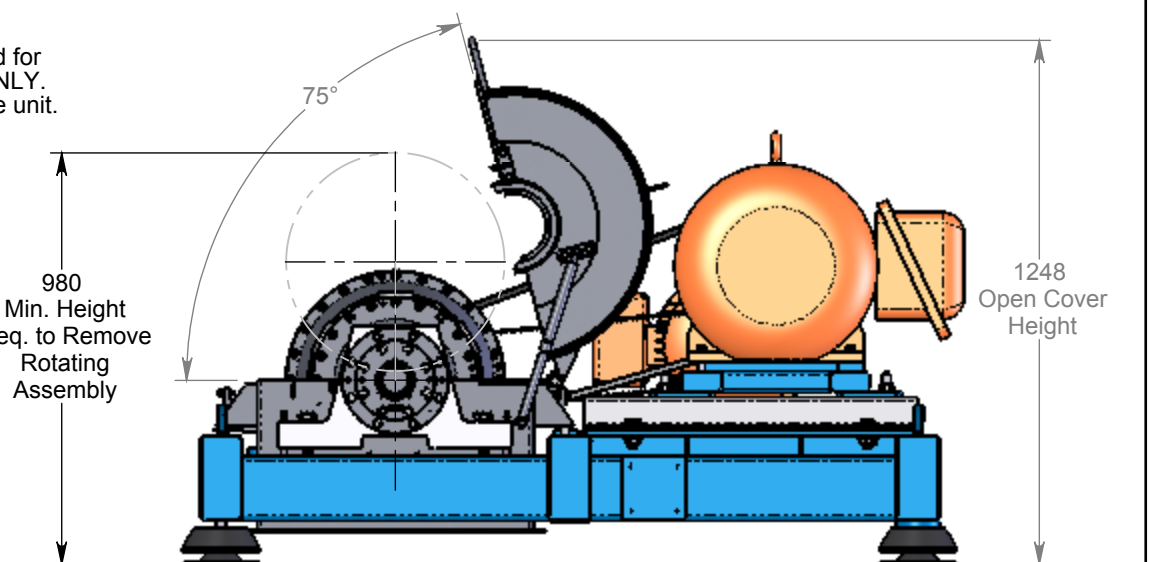


Note:
Cover Hooks to be used for
Main cover Removal ONLY.
Do NOT use to lift entire unit.



Typical Discharge Flange Detail (Solids & Centrate)

Mounting Pad Detail

Weights:

Rotating Assembly 2250 lbs.
Complete Centrifuge 6355 lbs.

Static Load Below each Point of Centrifuge:
A=1686 lbs.
B=1631 lbs.
C=1505 lbs.
D=1456 lbs.

REVISE ON CAD ONLY			9586 58th Place Kenosha, WI 53144		THIS PRINT IS PROVIDED ON A RESTRICTED BASIS AND IS NOT TO BE USED IN ANY WAY DETRIMENTAL TO THE INTERESTS OF CENTRISYS. Title: Cs18-3.DM.GB Centrifuge, PA69 General Arrangement Project: Part #: 17655 Drawing #: M-C17655 Sht: 1 OF 1 Scale: 1:18 REV
	CENTRIFUGE SYSTEMS		Tel: (262) 654-6006 Fax: (262) 654-6063		
	Designed by: L.G.	Date: 5/20/08	3rd Angle Projection	Material(s): See BOM	
	Drawn by: L.G.	Date: 5/20/08			
	Chkd by:	Date:	Estimated weight (lbs): 5707		
Approved by:	Date:				