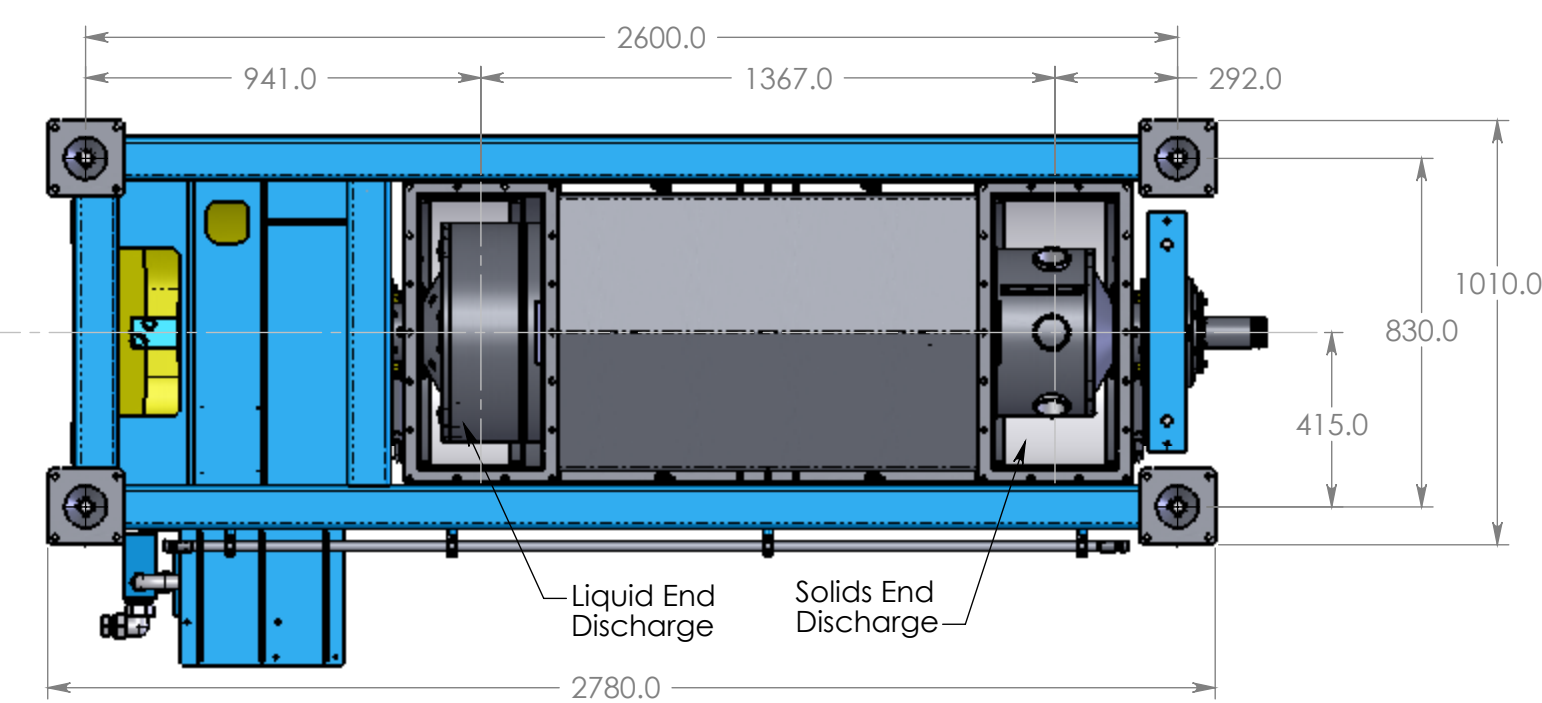
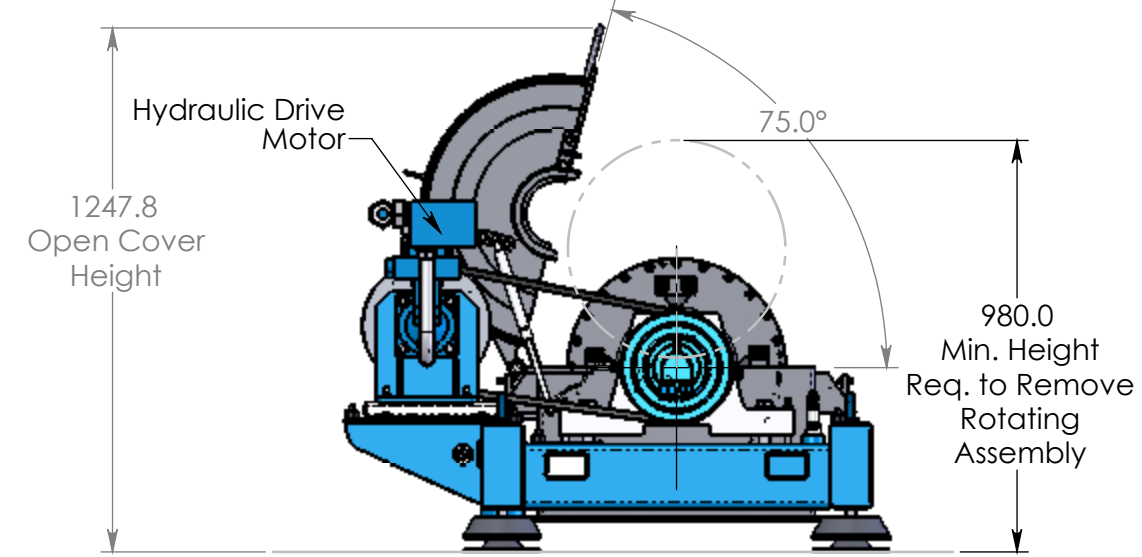
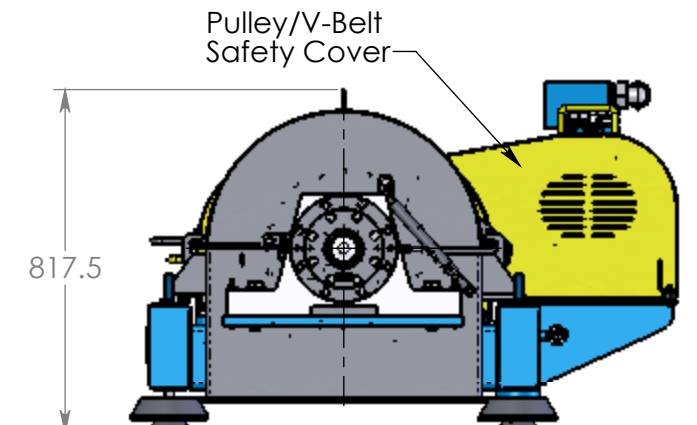
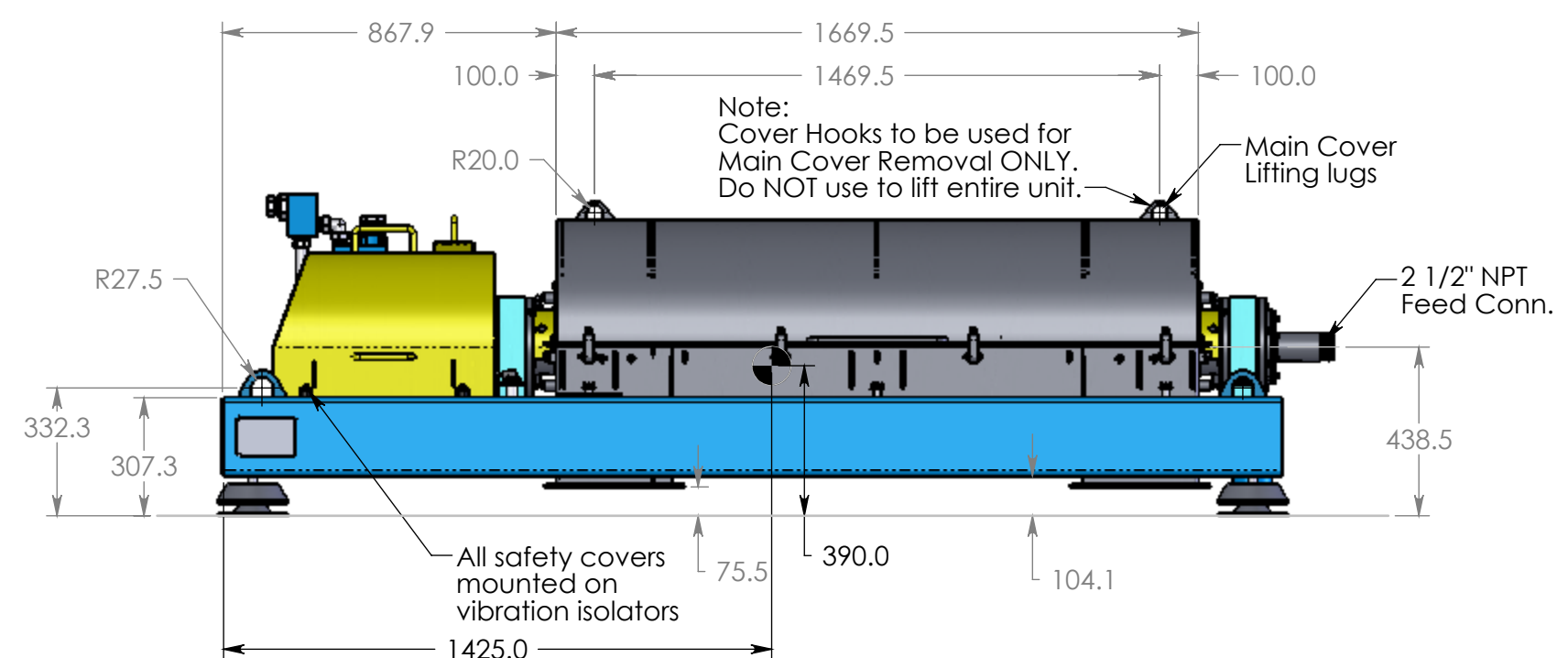
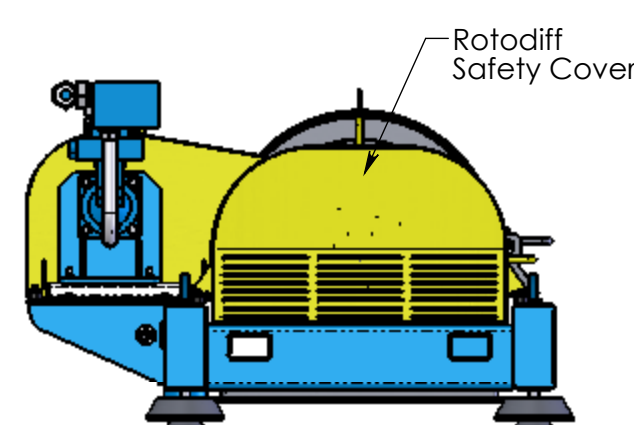
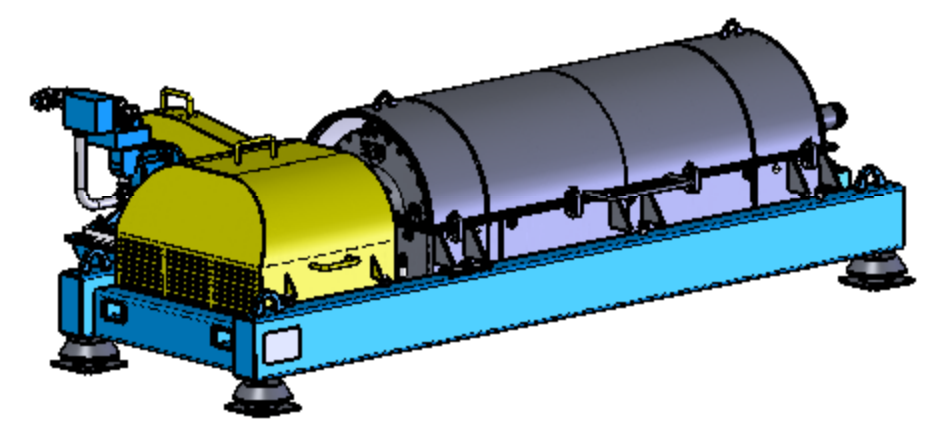
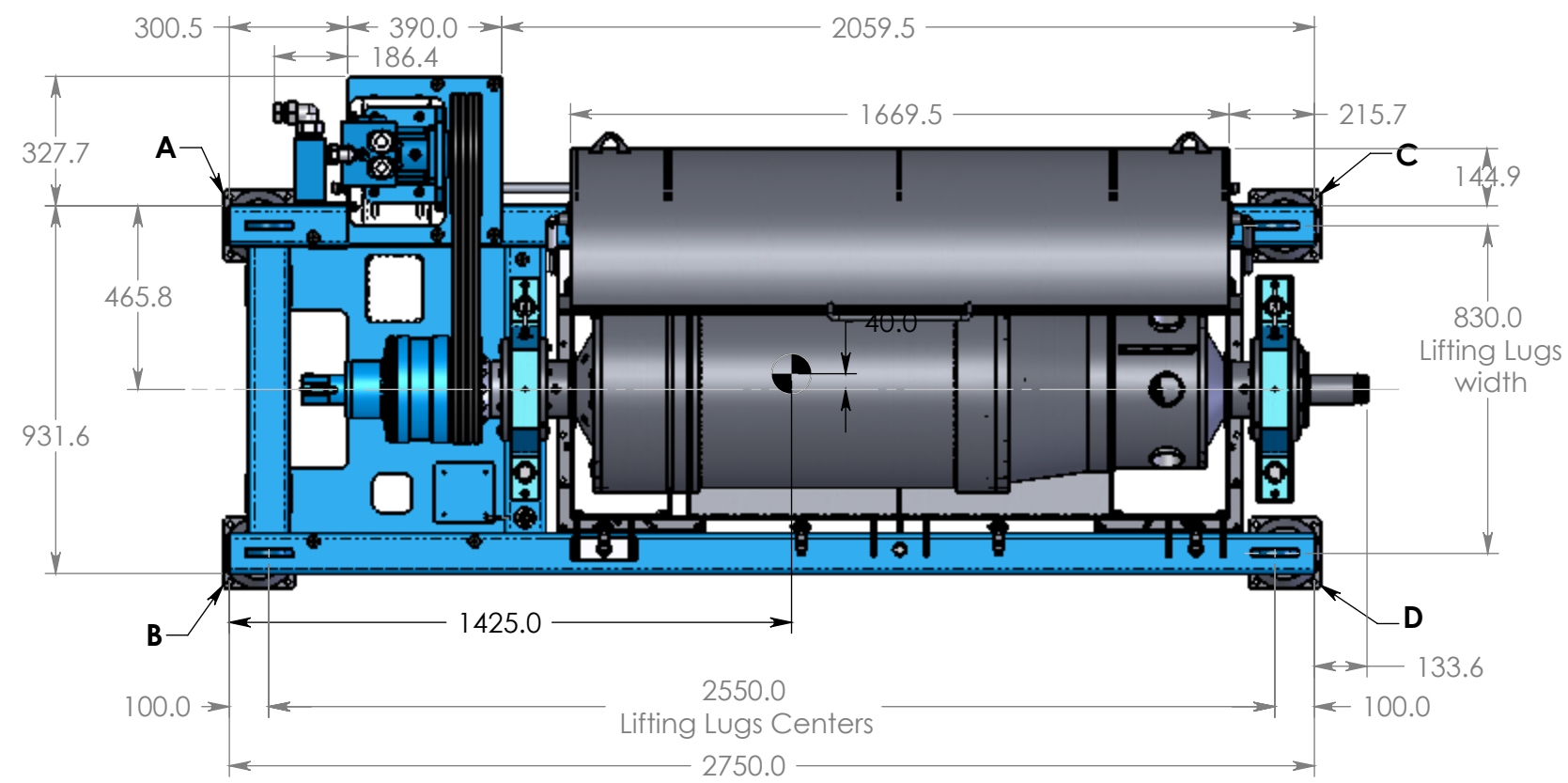
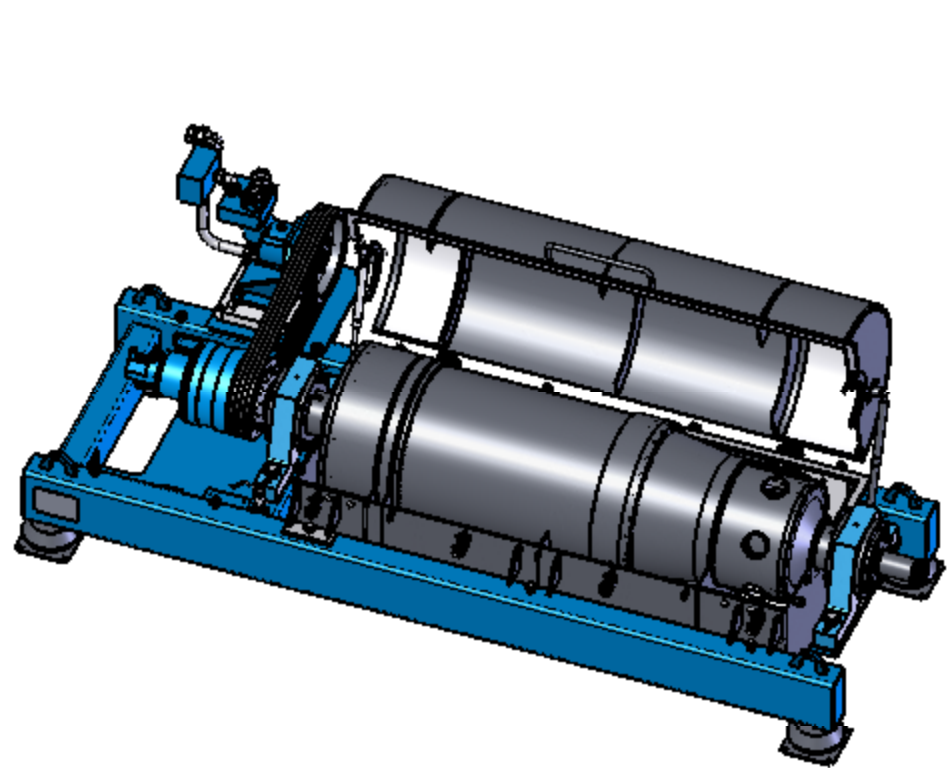
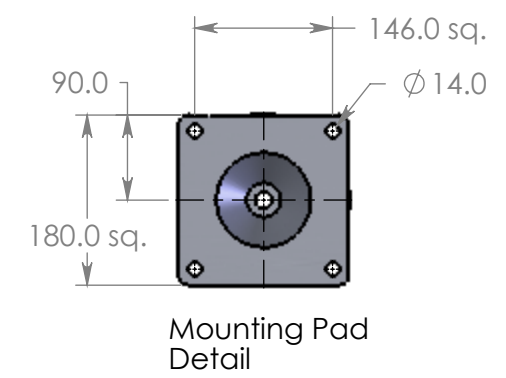
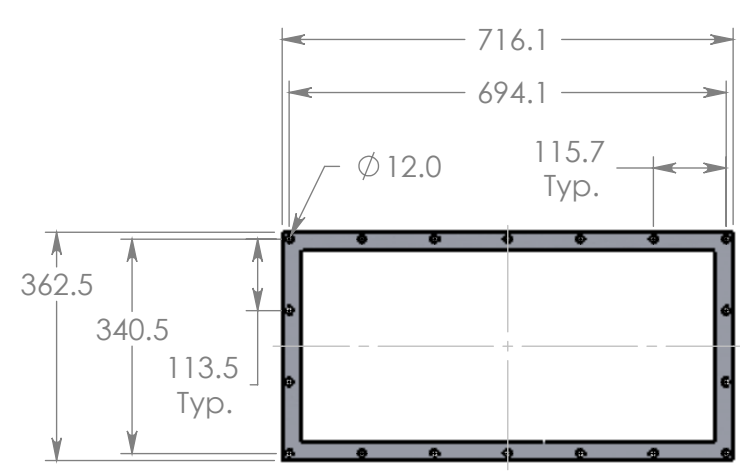


REV.	DATE	DESCRIPTION	INITIALS	ECN
A	2/15/2007	Update drawing to show scraper & accel. vibe	L.G.	-



Weights:
 Rotating Assembly 2250 lbs.
 Complete Centrifuge 3755 lbs.

Static Load Below each point of Centrifuge:
 A = 990 lbs.
 B = 815 lbs.
 C = 1070 lbs.
 D = 880 lbs.



REVISE ON CAD ONLY			THIS PRINT IS PROVIDED ON A RESTRICTED BASIS AND IS NOT TO BE USED IN ANY WAY DETRIMENTAL TO THE INTERESTS OF CENTRISYS CORP.	
	9586 58th Place Kenosha, WI 53144		Tel: (262) 654-6006 Fax: (262) 654-6063	
	Drawn by: L.G.	Date: 3/27/06	3rd Angle Projection	Material: N/A
	Checked by:	Date:	Estimated weight in LBS: 3755	
Title: Cs18-3.DM.FHD.02 Centrifuge General Arrangement		Project:		
Part #: 15424	Drawing #: M-C15424			
Sht: 1 OF 1	Scale: 1:18	REV-A		